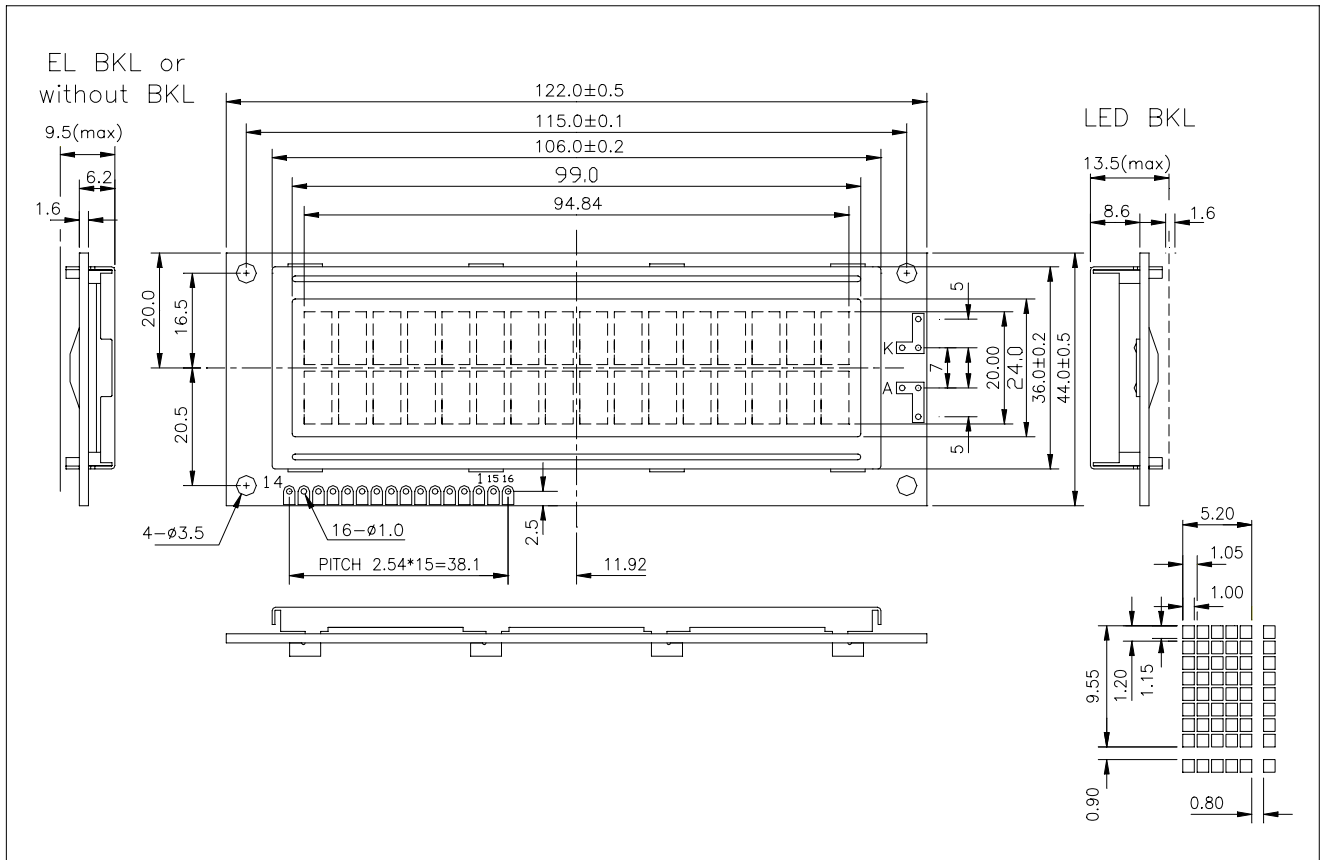
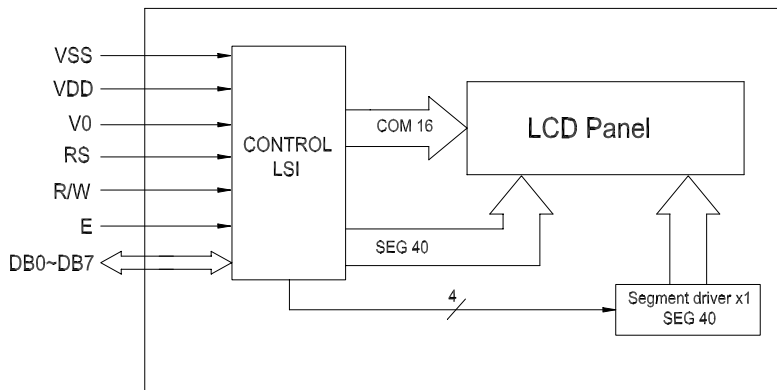


- * 5 x 8 with Cursor Dots
- * View Angle (6:00)
- * 1/16 Duty, 1/5 Bias, 16CHAR x 2LINE
- * LED Backlight (Yellow green)
- * Transflective
- * STN (Yellow green)
- * Controller/Driver (S6A0069)
- * Operating Temp (0 ~50)

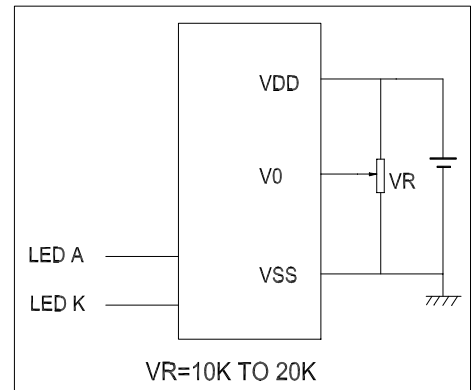
External Dimensions



Block Diagram



Power Supply



Mechanical Specifications Electrical Specifications

Item	Description(mm)	Item	Symbol	Min	Typ	Max	Unit
Size	122(L)x44(W)x13.5(H)	Supply Voltage for Logic	VDD	4.5	5.0	5.5	V
V.A	99(L)x24(W)	Supply Voltage for LCD	VLCD	4.0	4.5	5.0	V
Character Pitch	6.0 x 10.45	Supply Current for Logic	IDD		1.0	2.0	mA
Dot Size	1.0*1.15	Supply Current for LED	IF			80	mA

Interface Signals---- J1

Pin	Symbol	Level	Description	Pin	Symbol	Level	Description
1	V	SS	0V Ground	7~14	DB0~DB7	H/L	Data Bus Line
2	V	DD	+5V Supply Voltage for Logic	15	A	--	Back Light anode:+4.2V
3	V	V0	-- Operating Voltage for LCD	16	K	--	Back Light cathode:0V
4	R/S		H: Data L: Instruction Code				
5	R/W		H: Data Read L: Data Write				
6	E		H,H-L Enable Signal				