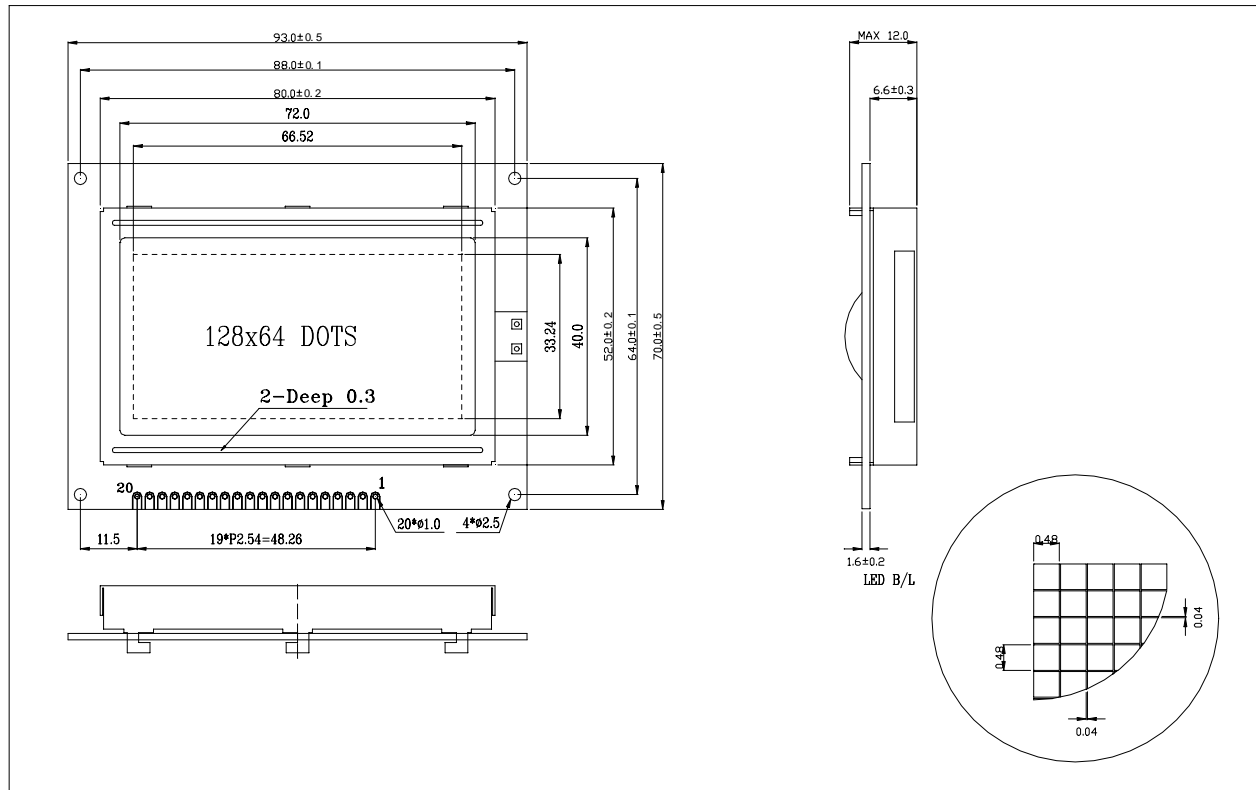


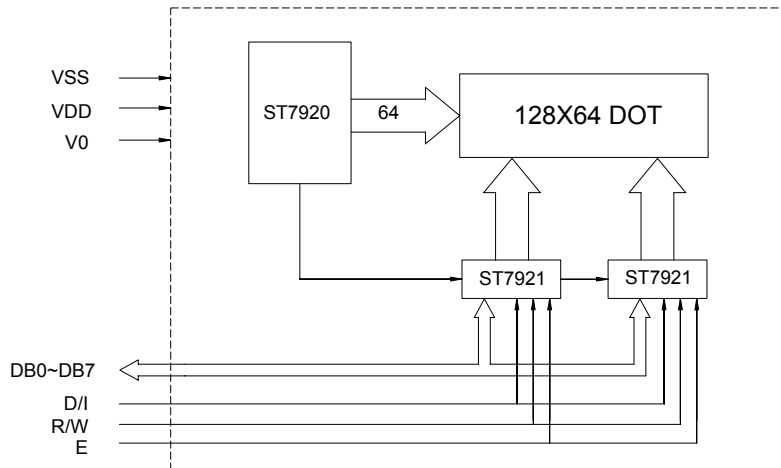
- * 128 x 64 Dots
- * View Angle (6:00)
- * 1/32 Duty, 1/6.7 Bias
- * LED Backlight (Yellow green)

- Transflective
- * STN (Yellow green)
- * Controller/Driver (ST7920, ST7921)
- * Operating Temp (0 ~50)

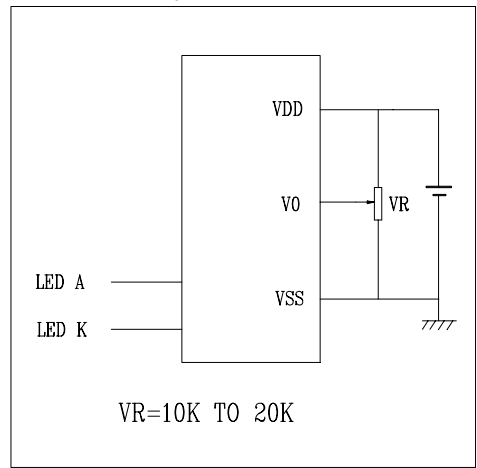
External Dimensions



Block Diagram



Power Supply



Mechanical Specifications

Electrical

Specifications

Item	Description(mm)	Item	Symbol	Min	Typ	Max	Unit
Size	93(L)x70(W)x12(H)	Supply Voltage for Logic	VDD	4.5	5.0	5.5	V
V.A	72.0(L)x40.0(W)	Supply Voltage for LCD	VLCD	5.5	6.0	6.5	V
Dot Pitch	0.52x0.52	Supply Current for Logic	IDD		1.0	3.0	mA
Dot Size	0.48x0.48	Supply Current for LED	IF			300	mA

Interface Signals---- J1

Pin	Symbol	Level	Description	Pin	Symbol	Level	Description
1	V	SS	0V Ground	7~14	DB0~DB7	H/L	Data Bus Line
2	V	DD	+5V Supply Voltage for Logic	15~18	NC		
3	V	0	-- Operating Voltage for LCD	19	A	--	Back Light anode:+5V
4	R/S	H/L	H: Data L: Instruction Code	20	K	--	Back Light cathode:0V
5	R/W(SID)	H/L	H: Data Read L: Data Write				
6	E(SCLK)	H,H-L	Enable Signal				